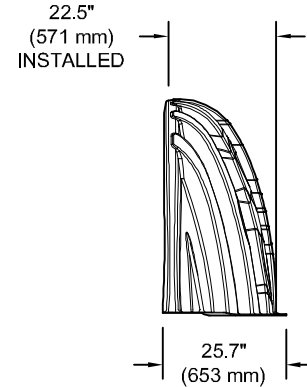
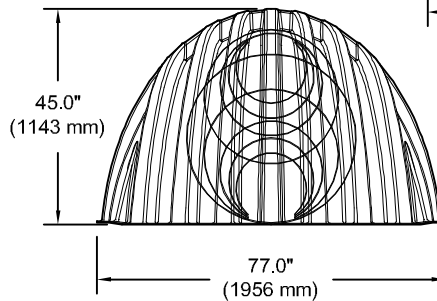
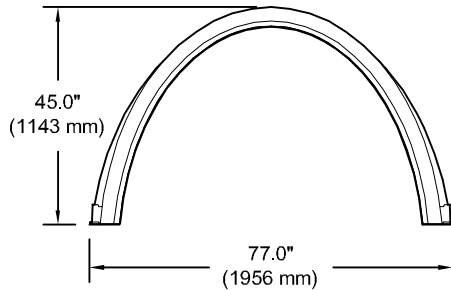
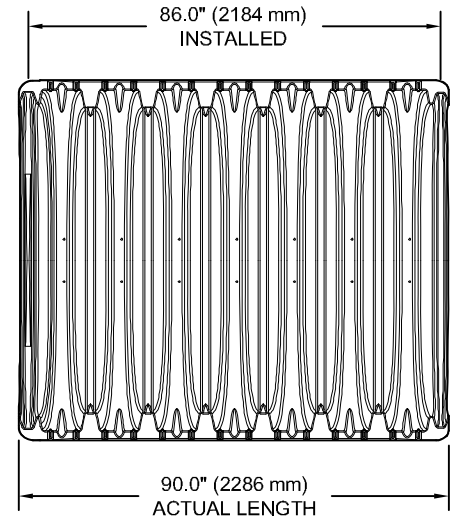
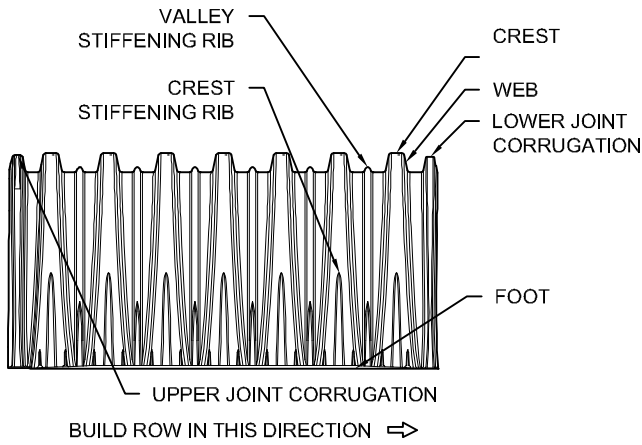


MC-3500 TECHNICAL SPECIFICATION

NTS



NOMINAL CHAMBER SPECIFICATIONS

SIZE (W X H X INSTALLED LENGTH)	77.0" X 45.0" X 86.0"	(1956 mm X 1143 mm X 2184 mm)
CHAMBER STORAGE	109.9 CUBIC FEET	(3.11 m ³)
MINIMUM INSTALLED STORAGE*	178.9 CUBIC FEET	(5.06 m ³)
WEIGHT	135.0 lbs.	(61.2 kg)

NOMINAL END CAP SPECIFICATIONS

SIZE (W X H X INSTALLED LENGTH)	77.0" X 45.0" X 22.5"	(1956 mm X 1143 mm X 571 mm)
END CAP STORAGE	14.9 CUBIC FEET	(0.42 m ³)
MINIMUM INSTALLED STORAGE*	46.0 CUBIC FEET	(1.30 m ³)
WEIGHT	50.0 lbs.	(22.7 kg)

*ASSUMES 12" (305 mm) STONE ABOVE, 9" (229 mm) STONE FOUNDATION AND BETWEEN CHAMBERS, 12" (305 mm) STONE PERIMETER IN FRONT OF END CAPS AND 40% STONE POROSITY

STUBS AT BOTTOM OF END CAP FOR PART NUMBERS ENDING WITH "B"
STUBS AT TOP OF END CAP FOR PART NUMBERS ENDING WITH "T"

PART #	STUB	B	C
MC3500IEPP06T	6" (150 mm)	33.21" (844 mm)	—
MC3500IEPP06B		—	0.66" (17 mm)
MC3500IEPP08T	8" (200 mm)	31.16" (791 mm)	—
MC3500IEPP08B		—	0.81" (21 mm)
MC3500IEPP10T	10" (250 mm)	29.04" (738 mm)	—
MC3500IEPP10B		—	0.93" (24 mm)
MC3500IEPP12T	12" (300 mm)	26.36" (670 mm)	—
MC3500IEPP12B		—	1.35" (34 mm)
MC3500IEPP15T	15" (375 mm)	23.39" (594 mm)	—
MC3500IEPP15B		—	1.50" (38 mm)
MC3500IEPP18TC	18" (450 mm)	20.03" (509 mm)	—
MC3500IEPP18BC		—	1.77" (45 mm)
MC3500IEPP24TC	24" (600 mm)	14.48" (368 mm)	—
MC3500IEPP24BC		—	2.06" (52 mm)
MC3500IEPP30BC	30" (750 mm)	—	—

NOTE: ALL DIMENSIONS ARE NOMINAL

CUSTOM PRECURED INVERTS ARE AVAILABLE UPON REQUEST. INVENTORIED MANIFOLDS INCLUDE 12-24" (300-600 mm) SIZE ON SIZE AND 15-48" (375-1200 mm) ECCENTRIC MANIFOLDS. CUSTOM INVERT LOCATIONS ON THE MC-3500 END CAP CUT IN THE FIELD ARE NOT RECOMMENDED FOR PIPE SIZES GREATER THAN 10" (250 mm) THE INVERT LOCATION IN COLUMN 'B' ARE THE HIGHEST POSSIBLE FOR THE PIPE SIZE.

